

PLEASE CHECK WWW.MOLEX.COM FOR LATEST PART INFORMATION

Part Number: [0039036012](#)
Status: **Active**
Overview: [standard_093](#)
Description: 2.36mm (.093") Diameter Standard .093" Pin and Socket Plug Housing With Positive Latch, UL 94V-2, 1 Circuit

Documents:

[3D Model](#) [Product Specification PS-3191-005 \(PDF\)](#)
[Drawing \(PDF\)](#) [RoHS Certificate of Compliance \(PDF\)](#)
[Product Specification PS-3191-001 \(PDF\)](#)

Agency Certification

CSA	LR19980
TUV	R72081037
UL	E29179

General

Product Family	Crimp Housings
Series	3191
Comments	Polarized to Mating Part
Overview	standard_093
Product Name	Standard .093"

Physical

Breakaway	No
Circuits (maximum)	1
Color - Resin	Natural
Flammability	94V-2
Gender	Dual
Glow-Wire Compliant	No
Keying to Mating Part	None
Lock to Mating Part	Yes
Material - Resin	Nylon
Number of Rows	1
Packaging Type	Bag
Panel Mount	No
Pitch - Mating Interface (in)	0.264 In
Pitch - Mating Interface (mm)	6.71 mm
Polarized to Mating Part	Yes
Stackable	No
Temperature Range - Operating	-40°C to +105°C

Electrical

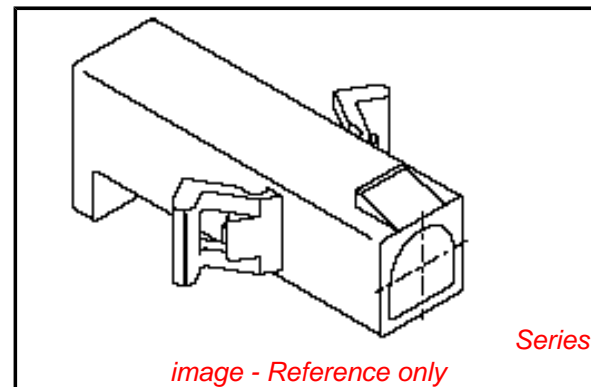
Current - Maximum per Contact	12A
-------------------------------	-----

Material Info

Old Part Number	3191-01P1
-----------------	-----------

Reference - Drawing Numbers

Packaging Specification	SPK-3191-001
Product Specification	PS-3191-001, PS-3191-005, RPS-3191-001
Sales Drawing	SD-3191-002



EU RoHS

ELV and RoHS Compliant
REACH SVHC Contains SVHC: No
Halogen-Free
Status Not Reviewed

China RoHS



Need more information on product environmental compliance?

Email productcompliance@molex.com
 For a multiple part number RoHS Certificate of Compliance, [click here](#)

Please visit the [Contact Us](#) section for any non-product compliance questions.

Search Parts in this Series

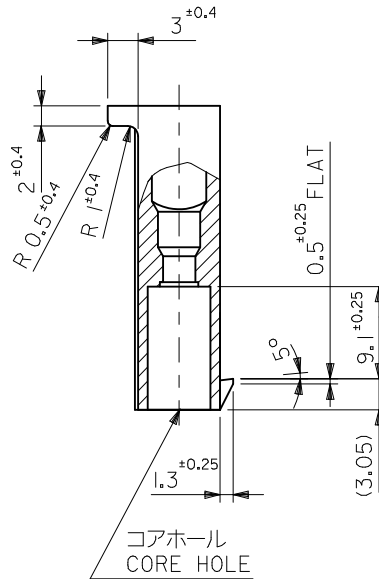
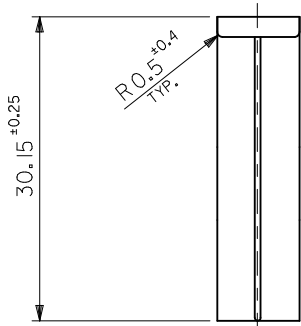
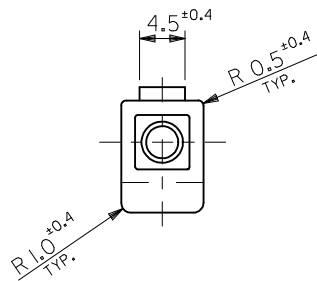
[3191Series](#)

Mates With

[3191](#) Pin and Socket Rectacle, [5219](#) Vertical PCB Header

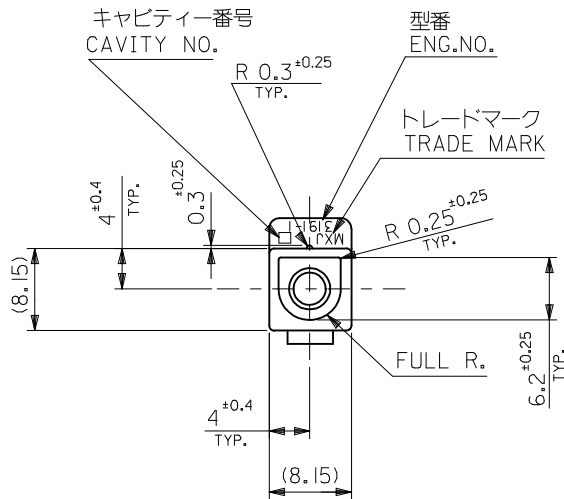
Use With

[1189](#) Crimp Terminals, [1190](#) Crimp Terminals, [1380](#) Male Crimp Terminals, [1381](#) Female Crimp Terminals, [1433](#) Crimp Terminals, [1434](#) Male Crimp Terminals, [2605](#) , [2606](#) , [1973](#) , [2151](#) , [2273](#) , [2870](#) , [2871](#) , [4272](#) , Lin



注記
NOTE

- () 内寸法は参考値
DIMENSIONS IN () ARE REFERENCE
- 材料 : ナイロン66
MATERIAL : NYLON66



YELLOW	39-01-9015	3191-01P1-YE	94V-2
RED	39-01-9014	3191-01P1-RE	94V-2
BLUE	39-01-9013	3191-01P1-BU	94V-2
NATURAL	39-03-6013	3191-01P1-201	94V-0
NATURAL	39-03-6012	3191-01P1	94V-2
COLOR	EDP. NO.	ENG. NO.	UL

REVISED EC NO.: J2009-2365 DRWN: KTOYODA 2009/05/01 CHKD: HATSUMOTO 2009/05/01 APPR: NUKITA 2009/05/11 REV J	DESCRIPTION GENERAL TOLERANCES (UNLESS SPECIFIED) 10 UNDER ± --- 10 OVER 30 UNDER ± --- 30 OVER ± --- ANGULAR ± --- ° DRAFT WHERE APPLICABLE MUST REMAIN WITHIN DIMENSIONS	DIMENSION STYLE MM ONLY	SCALE 2:1	DESIGN UNITS METRIC	THIRD ANGLE PROJECTION	
		DRAWN BY H. IJIMA	DATE '96/06/26	TITLE 1 CKT. PLUG HSG (.093 DIA. TERMINAL)		
		CHECKED BY M. FUKUSHIMA	DATE '96/06/26	MOLEX INCORPORATED		
		APPROVED BY M. ENOMOTO	DATE '96/06/26	MATERIAL NO. SEE CHART	DOCUMENT NO. SD-3191-002	SHEET NO. 1 OF 1